

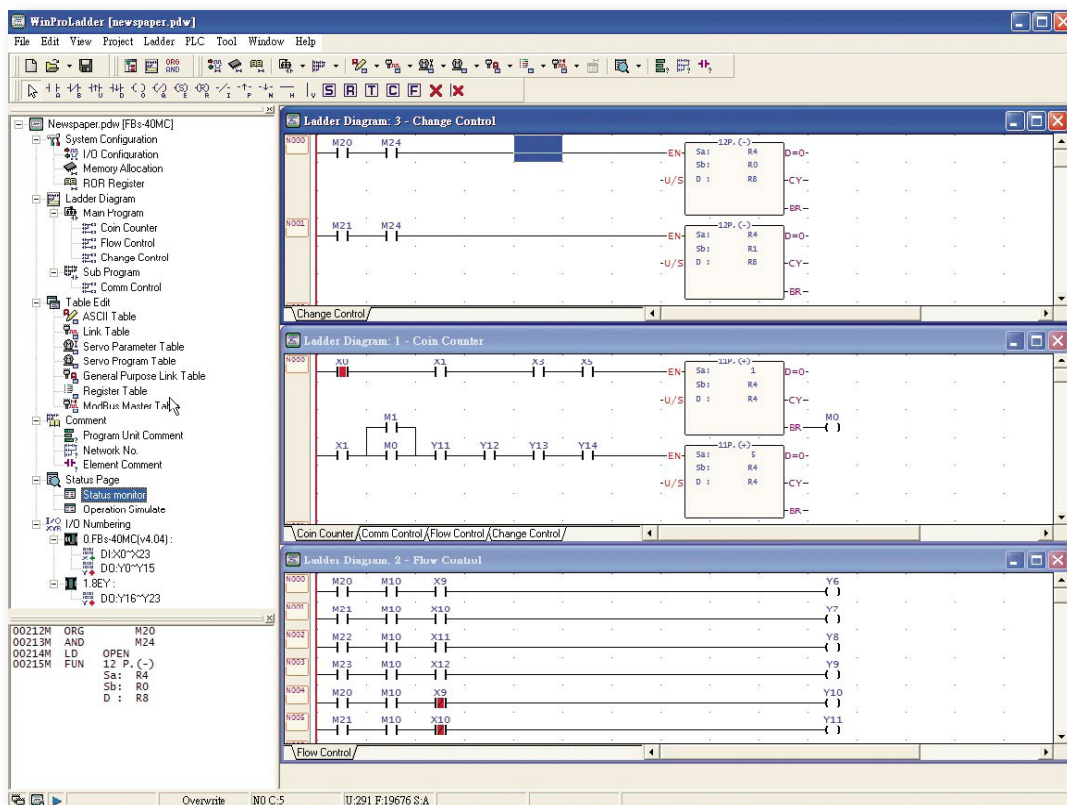
WinProLadder software package

■ WinProLadder software package

● General Feature

- Windows based application program following the standard conventions of a windows environment for ease of learning and operation regardless of whether the user is a beginner or frequent user.
- Application environment for project development is via a hierarchical tree. All the elements of the project can be activated by directly clicking the mouse button on the tree object providing comprehensive access and views of the working project.
- Easy entry methods which incorporate both the keyboard and mouse as entry devices. No matter whether on site or in an office environment the software can be operated with ease and efficiency.
- Provides various types of connections to the PLC via a PC. Connections include serial, USB, Ethernet / Internet and Modem. For every different connection WinProLadder provides a session name to associate the setting of the communication parameters, such as port no., baud rate, IP address, phone number, etc.

WinProLadder



● Program editing

- Provides the on-line program editing capability. After modifying the ladder program the user can send the RUN command immediately without having to re-download the program to PLC. With this feature the application development time is dramatically reduced compared to other PLC's without this feature.
- Ladder program can be edited without stopping the PLC from running (Run time editing).
- Multiple ladder program windows can display different sub groups of the ladder program at one time and allows the copy, paste and compare operation between these windows.
- Provides the flexible ladder network editing capability. With the help of copy, paste and delete highly efficient operation can complete a complex program with fewer keystrokes.
- Provides the capability to divide the whole program into many program units. User can at will partition the whole development task into many independent program units according to the functionality or other classify methodology and perform the entry, editing, testing and documentation independently.
- Provides an individual window for mnemonic instruction display. Immediately display the equivalent mnemonic code corresponding to the ladder network pointed by the cursor.
- Provides the flexible program search capability, can search contact, register or function. Also can set a filter to narrow down the search object to ease the user from picking up the desire results among the whole bunches of search result. Most of all, just double click the interested message line can bring out the corresponding ladder program to the user.
- Provides a powerful syntax check tool. With this tool can parse the user's program and generate a parsing message in one window. In this window all the warning or error messages regard the program will be listed line by line. User just double click the interested line then the ladder program will be shown on the window with the cursor stay on the question part.



● Program testing

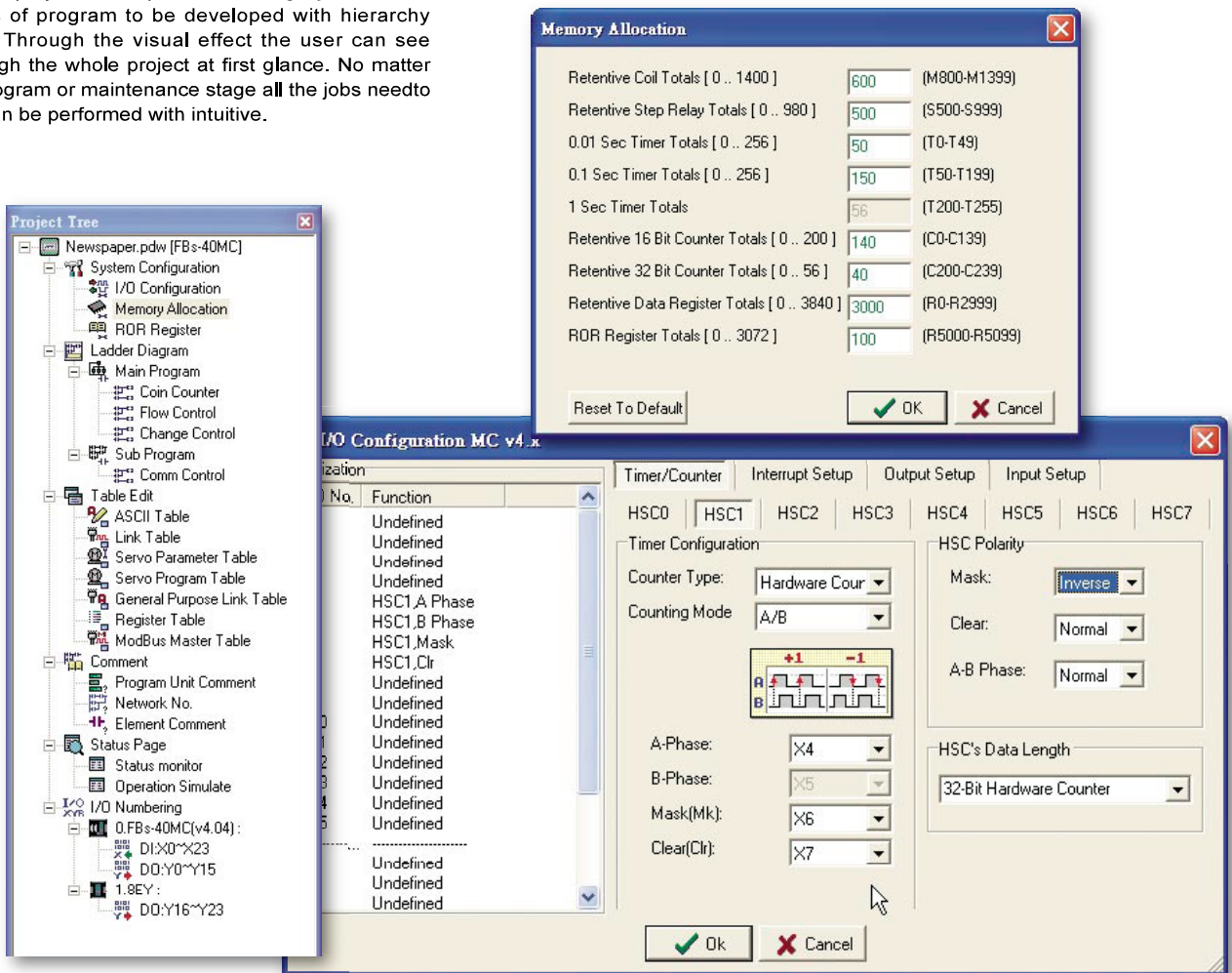
- Provides multiple pages of status monitoring. User can monitor and modify the status of discrete contacts and registers on the status page. Each discrete input and output (include the internal relay) can be disabled and forced on or off. Each register can be selected individually to show with different format such as hexadecimal, decimal and binary. Best of all, all the layout of the status pages can be stored in the project and there is no need for user to re-define the page each time when he/she wants to monitor the status.
- Multiple high lighted ladder program display windows. The conducting condition of each contact element can be revealed by the color of the element drawing. The register value embedded with the function block also can be shown currently with ladder diagram. The discrete element can be easily disabled and forced on or off directly from the ladder diagram.

● Program documentation

- Provides discrete element, register, network, and program unit and project comment. Besides the project comment all other comments can be displayed with ladder diagram. With this feature the user can easily realize how the ladder program is working.
- Provides following report printout function:
Ladder diagram printout can select the scope and detail level of the ladder diagram for different kind of reporting requirements. Used ladder element cross-reference report can list the statistics of all ladder elements used in the project.
- The comment of the contact and register can be created by this software or by using text editor that were familiar with user. Comments can be imported from the text file and also can be exported to the application software such as Excel for further processing.
- The network of ladder program can be copied to other editing software such as Word by using copy and paste function. With this feature, can facilitate the documentation of program when use the editing software.

● Project oriented program

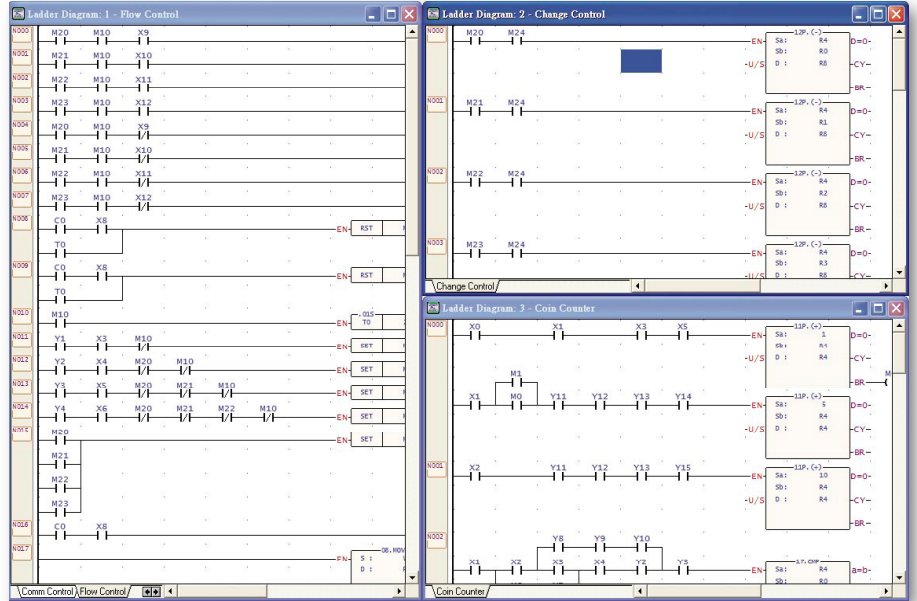
Adopt project concept, which category the whole tasks of program to be developed with hierarchy tree. Through the visual effect the user can see through the whole project at first glance. No matter at program or maintenance stage all the jobs need to do can be performed with intuitive.



WinProLadder software package

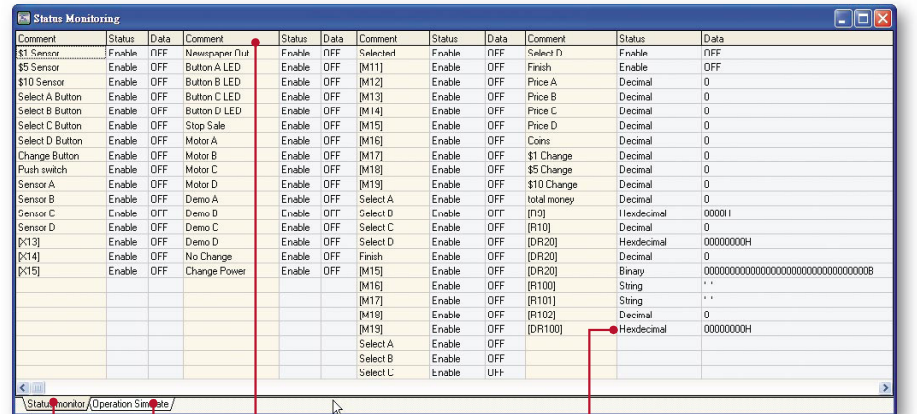
● Ladder program editing screen

Multiple ladder windows, can perform the network copy, paste, cut and compare operations among windows.



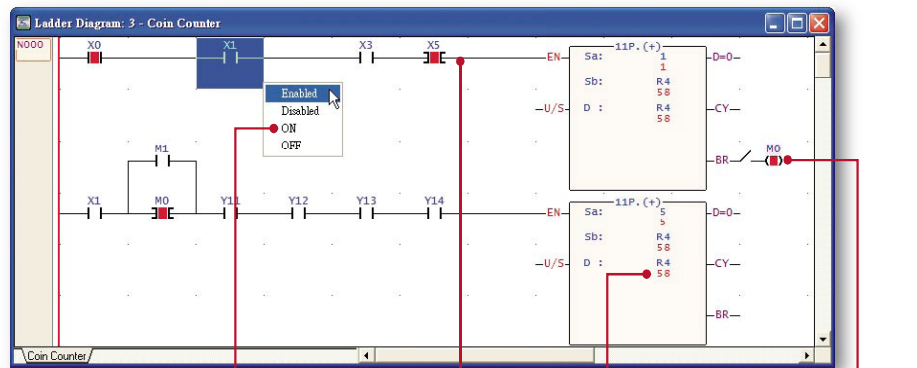
● Status monitor and control

Multiple status page window, can define the elements, registers to be monitoring and assign its display format. The state of the contact elements can be disabled and forced. Register value also can be entered.



Multi-page status monitoring Monitoring status with comment display Display with different data formats

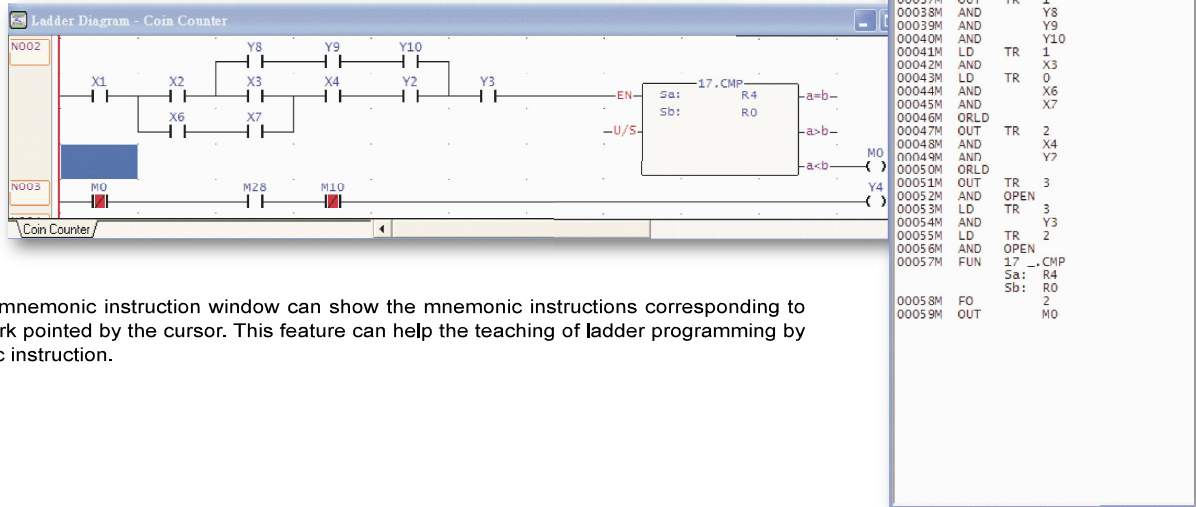
Multiple high lighted ladder program windows. The conducting condition of each contact element can be revealed by the color of the element drawing. The register value embedded with the function block also can be shown currently with ladder diagram.



Control the contact status directly on ladder program screen Conducting status of contact with disable indication The live content of register can be shown directly on ladder diagram Coil conducting status with disable indication



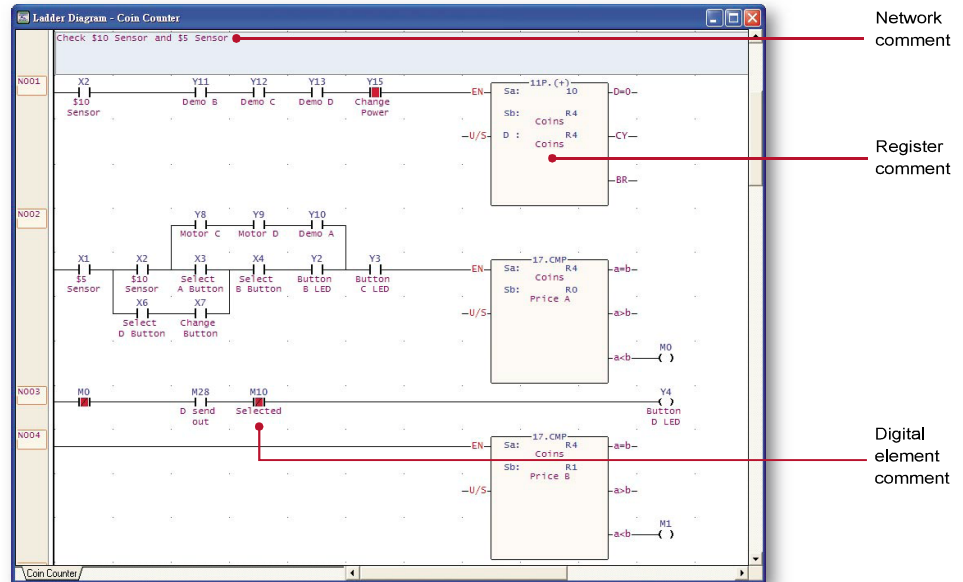
● Mnemonic ladder instruction display window



Dedicate mnemonic instruction window can show the mnemonic instructions corresponding to the network pointed by the cursor. This feature can help the teaching of ladder programming by mnemonic instruction.

● Ladder diagram with comments

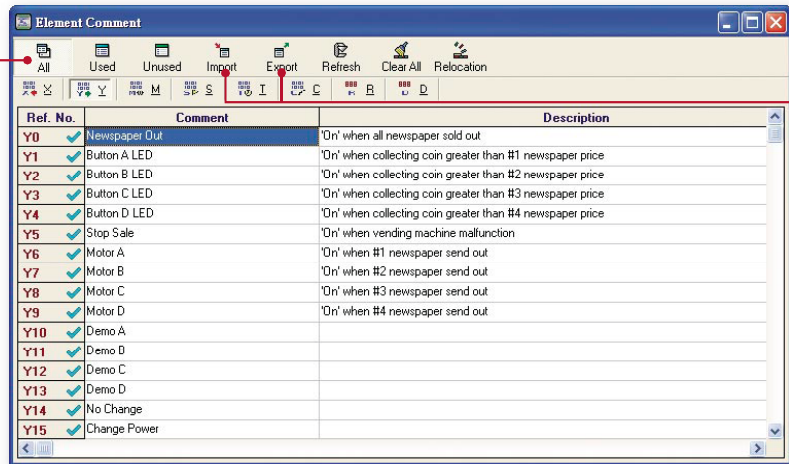
Provides different detail level of comment for contact, register, network and program to facilitate the readability and maintenance of the program.



● Element comment editing

With element comment window, can attach an easy for memorizing comment to the elements, detail description also can be added to facilitate the maintenance of project.

Can choose all, used, unused elements for displaying to assist the user to input the comments



The comment, through exporting and importing can be integrated with other application software.